



ALPHA™ Automatic Brewing Systems with FreshTrac™ Technology

Model: ALP3GT15A826*



■ Features

G3 Digital Control Module - Provides precise control over all aspects of brewing in an intuitive, easy-to-operate system.

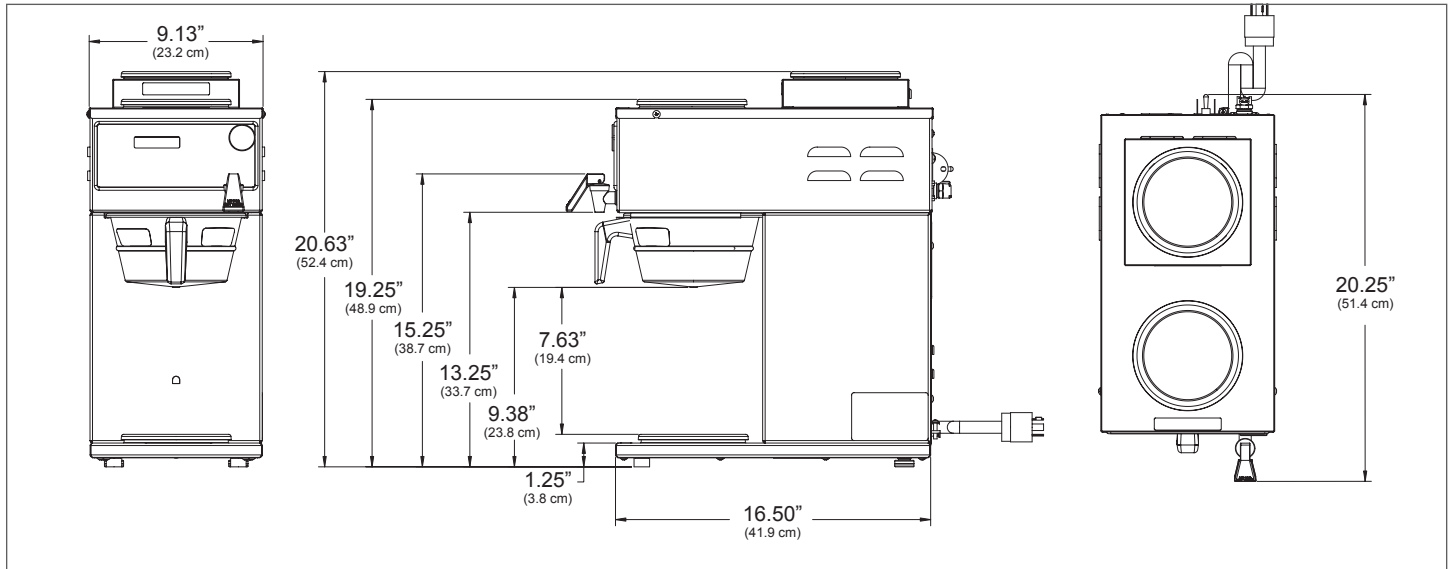
Small Footprint - Sitting at only 9.13" in width the Alpha has three holding stations.

On-Board Self-Diagnostics - Automatically notifies operator of preventive maintenance needs or service requirements.

Energy Save Mode - Reduces energy consumption when brewer is idle.

Factory Set - for out-of-the-box operation.

ALPHA™ Automatic Brewing Systems with FreshTrac™ Technology



Specifications

MODEL#	DESCRIPTION	HEIGHT x WIDTH x DEPTH	SHIP WEIGHT	SHIP CUBE
ALP3GT15A826	Automatic Brewing Systems with FreshTrac™ Technology	20.63" x 9.13" x 20.25"	30.0 lbs.	2.8 cu. ft.

Utility Requirements		ELECTRICAL						WATER			
MODEL#	PHASE	VOLTS	AMPS	WIRE	WATTS	HERTZ	PLUG	CONNECTOR	PRESSURE	MINIMUM FLOW RATE	TANK VOL.
ALP3GT15A826	1 PH	220V	17.3A	3W+G	3800W	50/60Hz	L14-20P	1/4" Flare	20 - 90 psi	1.0 GPM	1.6 gal

Includes Quick Disconnect

Accessories



TFT64F1H126
64 oz Stainless Steel Pour Pot,
Black Fast Pour Lid
(Regular Coffee/Black Lid)



TFT64F1H126D
64 oz Stainless Steel Pour Pot,
Orange Fast Pour Lid
(Decaf Coffee/Orange Lid)



WC-56078-126
Fast Pour Lid Assembly,
W/3-LEDs
1-Hour Freshness Timer



WC-56078D-126
Fast Pour Lid Assembly,
W/3-LEDs
1-Hour Freshness Timer, Decaf



CR-10
Coffee Filter
9-3/4" x 4-1/2"



WC-29025
Purple AFS Sprayhead

* Accessories sold separately.



WARNING - These products can expose you to chemicals including Acrylamide and Bisphenol A (BPA), which are known to the State of California to cause cancer and birth defects or other reproductive harm. For more information visit www.P65Warnings.ca.gov

