



## GemX™ IntelliFresh® Dispenser and Warmers



**GEM3XRBA026\***  
1.5 Gal. Dispenser, FreshTrac



**GEM5XSIFT10A026**  
Single Warmer Stand



**GEM5XTIFT10A026**  
Twin Warmer Stand

### Features

**Next generation coffee dispenser.** Modern design with large, color changing LED lights representing coffee freshness and volume.

**Keep coffee fresher and longer.** Double insulated stainless steel combined with an intelligent warming system. Keeps coffee fresh and hot for one hour, twice as long as glass carafe brewers.

**Easy to clean.** Large diameter lid allows for easy access to clean the interior. GemX dispensers are all digital, so there's no plastic site gauge to clean.

**Increase cup quality and consistency.** Restriction brew prevents brewing if old coffee is detected in the dispenser.

**Mobile technology.** Dispensers are easily movable from the brewer to a remote warming stand. The dispenser remembers when the coffee was brewed and maintains the appropriate LED color to indicate freshness.

**No site gauge.** Most coffee dispensers use an unreliable plastic site gauge that easily stains, clogs or leaks. GemX dispensers are all digital, eliminating these hassles while providing a more appealing visual experience.

**Wrap around faucet guard.** To prevent the faucet from accidental damage, GemX dispensers feature a faucet guard made with fiberglass-infused plastic.

**Reduce waste.** Designed with a sloped bottom to ensure all coffee is fully evacuated from the dispenser.

## Quality and Volume Level Indicator



### Fresh

The green LED will remain lit from 1 - 50 minutes after brewing



### Warning

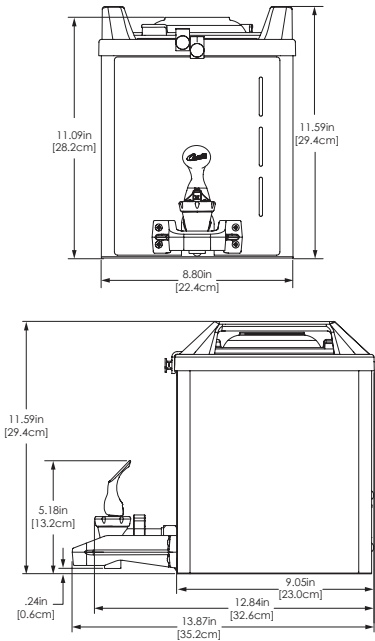
The yellow LED will appear for 10 minutes (50 minutes after brewing)



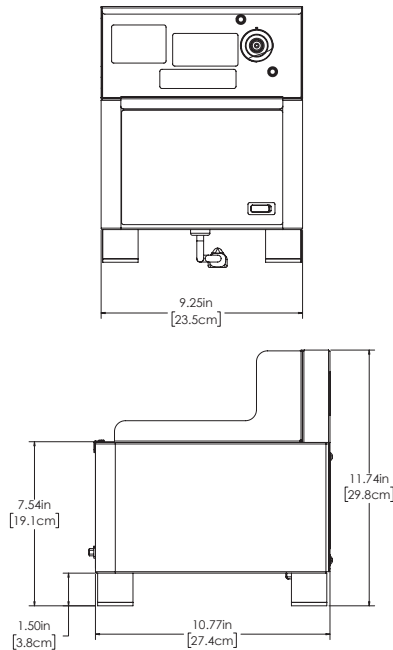
### Expired

The red LED will appear 60 minutes after brewing

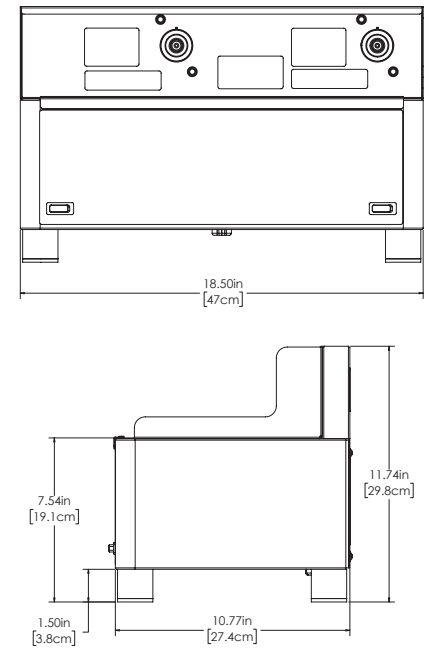
Model: GEM3XRBA026



Model: GEM5XSIFT10A026



Model: GEM5XTIFT10A026



## Dimensions

## Electrical Requirements

MODEL	DESCRIPTION	H x W x D	SHIP WEIGHT	SHIP CUBE	PHASE	VOLTS	AMPS	WIRE	WATTS	HERTZ
GEM3XRBA026	Dispenser, 1.5 gal. IF FreshTrac, Dispenser Detect	11.42" x 9.04" x 13.85"	11.0 lbs.	1.36 cu. ft.	1 PH	120V	0.6A	2W+G	71W	50/60 Hz
GEM5XSIFT10A026	Single Warmer Stand IF with FreshTrac	11.87" x 9.25" x 11.07"	8.0 lbs.	0.77 cu. ft.	1 PH	120V	0.6A	2W+G	71W	50/60 Hz
GEM5XTIFT10A026	Twin Warmer Stand, IF with FreshTrac	11.87" x 18.50" x 11.00"	13.0 lbs.	1.55 cu. ft.	1 PH	120V	1.20A	2W+G	142W	50/60 Hz

## Accessories



DT-8  
8" Stainless Steel Drip Tray



WC-32005ORG  
Decaf Handle

