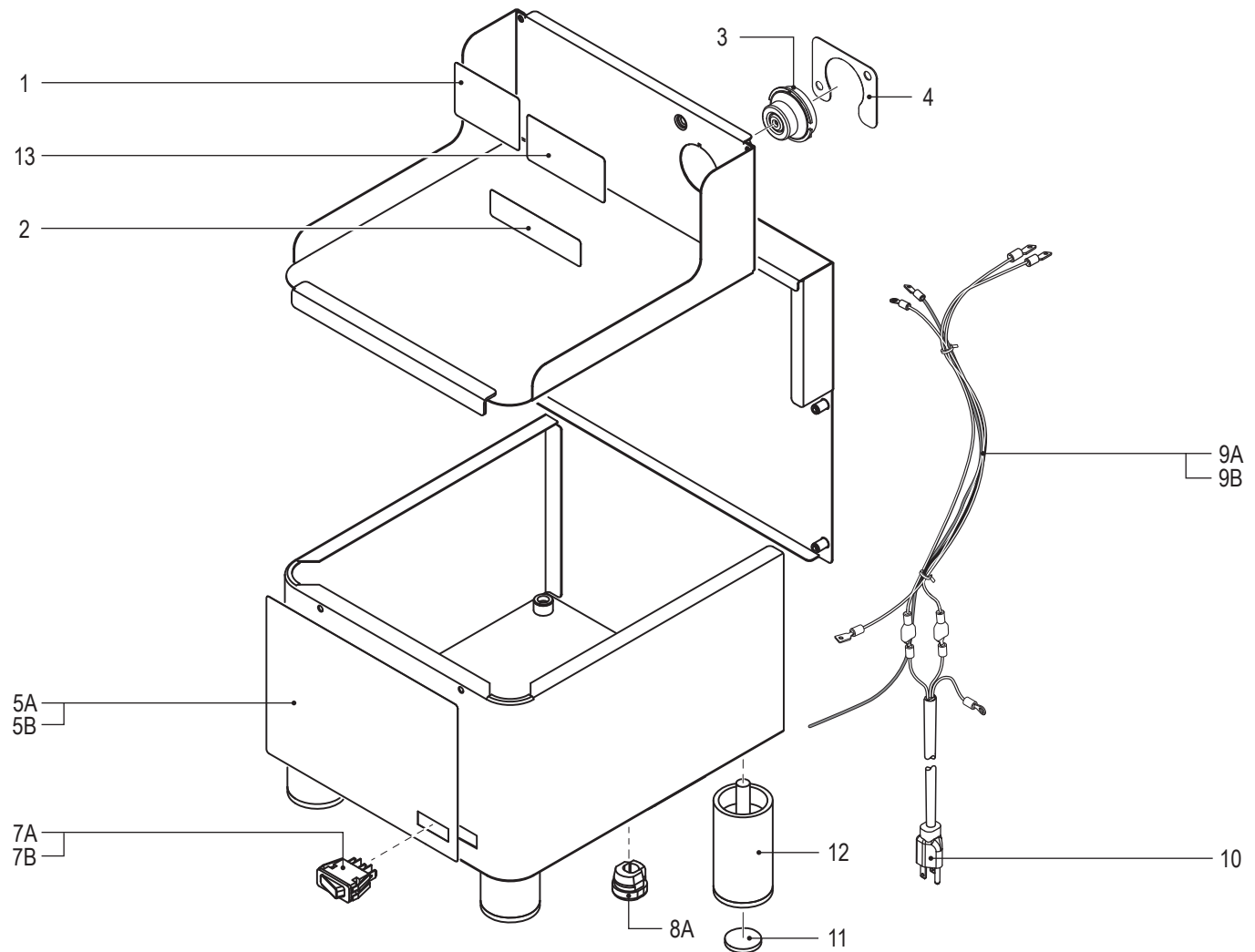


GEM5XSIFT10A026/GEM5XTIFT10A026 - Exploded View



Parts List

ITEM #	PART #	DESCRIPTION
1	WC-38535	LABEL, SLIDE CONTAINER TO CONTACT BACK PANEL GEMTIF/GEMSIF
2	WC-38504	LABEL, WARNING SHOCK HAZARD INTELLI-FRESH
3	WC-571K-R	KIT, IF CONNECTOR- RIGHT
4	WC-61307	HOLDER, CONNECTOR FEMALE GEMTIF
5A ¹	WC-390607	LABEL, FRONT GEM5XSIFTR MCD
5B ²	WC-390606	LABEL, FRONT GEM5XTIFTR MCD
6	WC-13425-101	ADAPTER ASSY, IF CONNECTORS (NOT SHOWN)
7	WC-165	SWITCH, WARMER (RED) 120V NEON SPST 20A/250V HI TEMP CAFE/AW
8	WC-1408	CORD GRIP, 7/8" O.D.

ITEM #	PART #	DESCRIPTION
9A ¹	WC-1386-102	HARNESS, ASSY GEM5IF
9B ²	WC-13435	HARNESS ASSY w/WC-1200 CORD GEM5IFT
10A	WC-1200	CORD, 14/3 SJTO 6' BLK W/PLUG
11	WC-3533	BUMPER, RUBBER 1" DIA (FOR USE WITH OLDER UNITS THAT HAVE LEGS WITH PLASTIC BASE)
12	WC-3542	LEG, 3-1/4" NON-ADJUSTABLE 3/8-16 THRD 1-5/8" DIA.
13	WC-38631	LABEL, USE ONLY GEM3XIFT
14	WC-38149	LABEL, UNIVERSAL WARNING (NOT SHOWN)

¹ Single version,
² Twin version