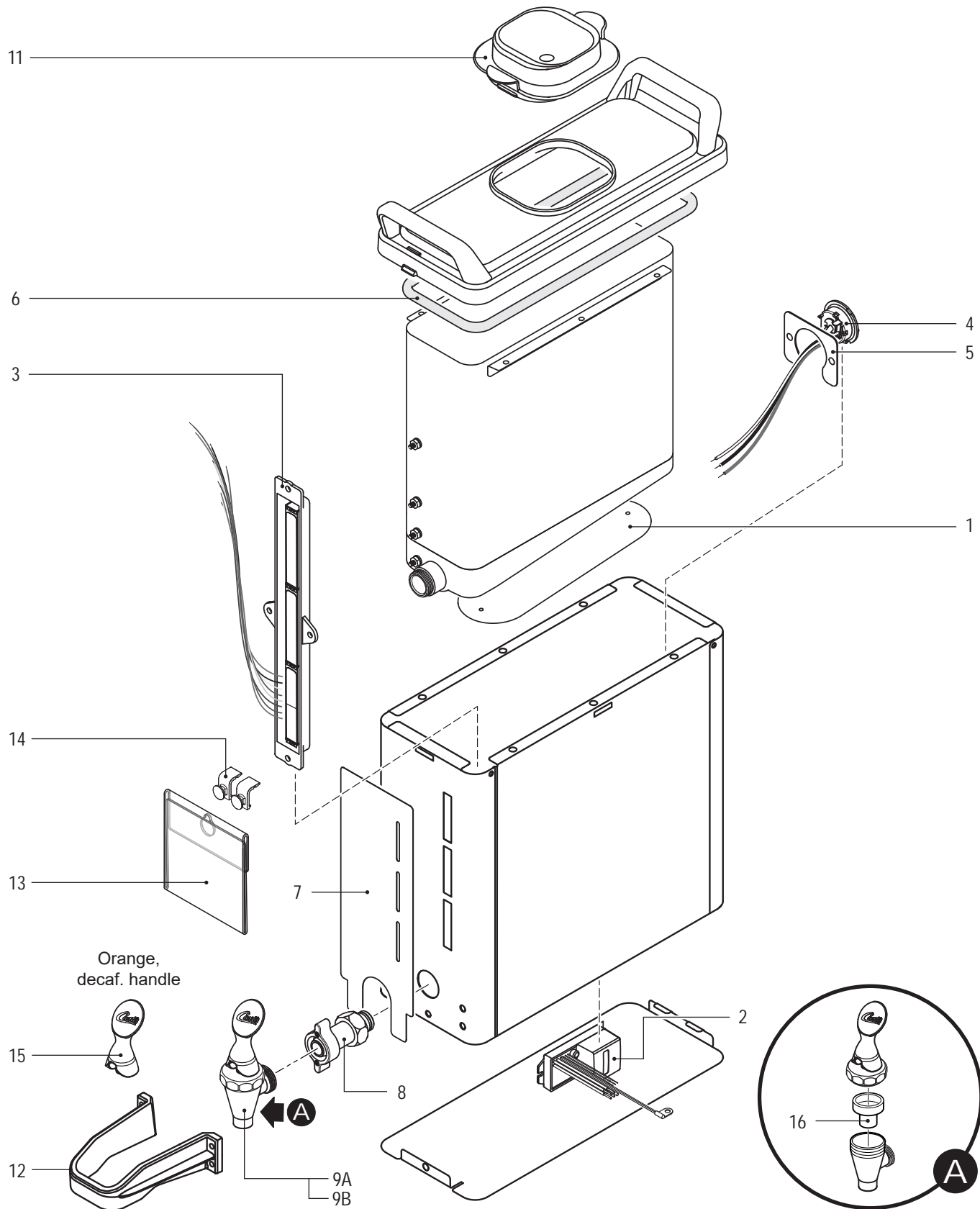


GEM3XNRBA026 - Exploded View



GEM3XNRBA026 - Parts List

ITEM #	PART #	DESCRIPTION
1*	WC-987K	KIT, ELEMENT, WARMER 75W/120V
2*	WC-10048-109	CONTROL MODULE, UPM 120V GEM3XNRBA026
3*	WC-10037K	KIT, CONTROL MODULE, LED ASSEMBLY GEM3XIFT
4	WC-13426	WIRE ASSY, IF CONNECTOR GEM3IF
5	WC-61307	HOLDER, IF CONNECTORS
6	WC-2640	GASKET, LINER
7	WC-390655	LABEL, FRONT GEM3XN MCDS
8	WC-1901A-104K	KIT, FAUCET SHANK GEM3XIFT
9A*	WC-1803	FAUCET, "SPB" SERIES, BLACK HANDLE/PLASTIC 1-1/32-14 UNS CURT
9B	WC-1803D	FAUCET ASSY DECAF HANDLE PLASTIC 1-1/32-14 UNS CURTIS

ITEM #	PART #	DESCRIPTION
11*	WC-66157	LID, NARROW SATELLITE
12	WC-66119K	KIT, FAUCET GUARD GEM3X
13	WC-66159	HOLDER, FLAVOR CARD GEMX3N
14	WC-66145K	KIT, HOLDER, FLAVOR CLIP (SET OF 2 CLIPS)
15	WC-32005ORG	HANDLE, FAUCET STYLIZED ORG CURTIS
16*	WC-1805	SEAT CUP, "S" FAUCET USE ON WC-1800/B/LB/D/DL/L/WC-1803

* Recommended parts to stock