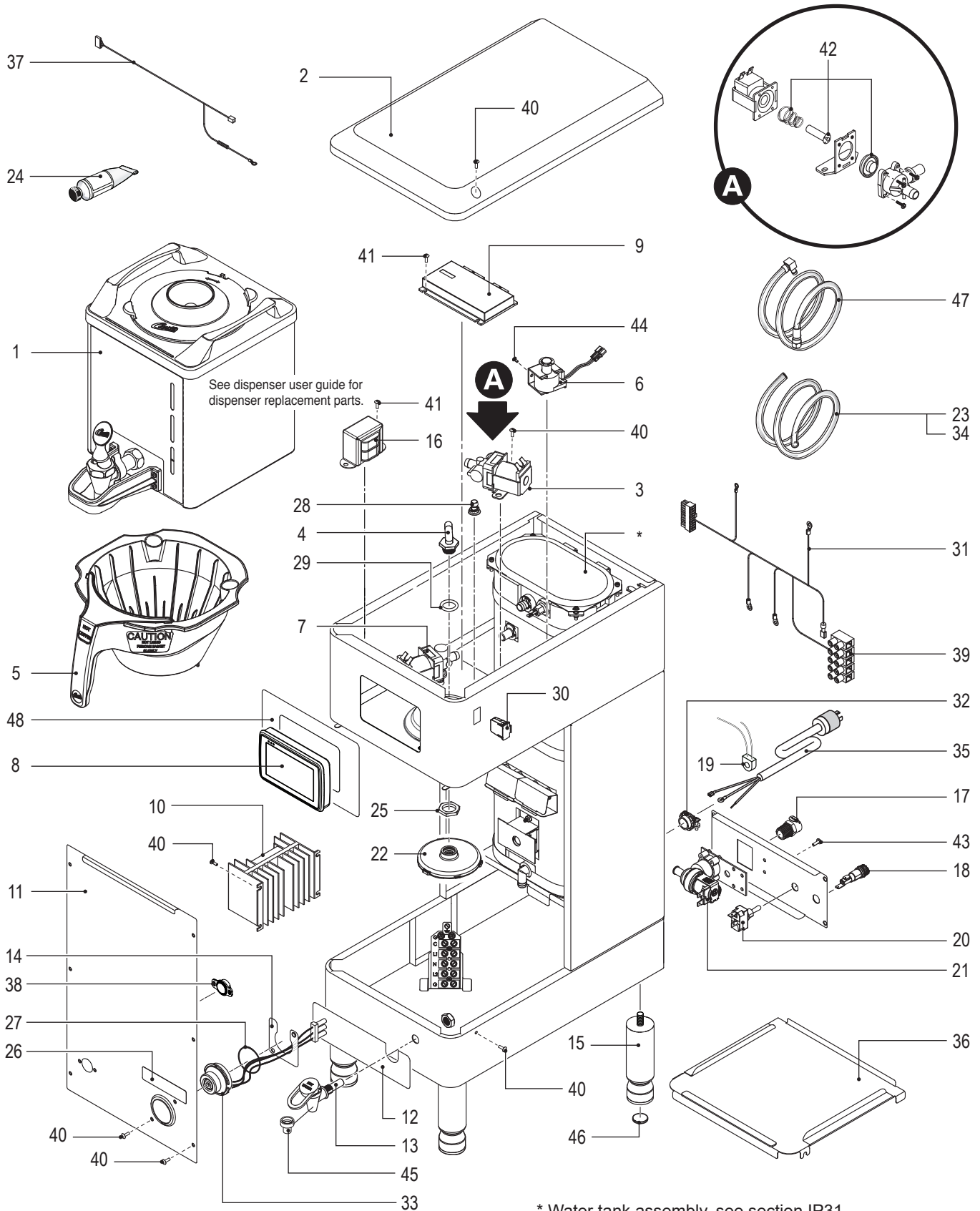


G4GEMXSIFTR10A026 - Main Chassis - Exploded View



## G4GEMXSIFTR10A026 - Main Chassis - Parts List

ITEM #	PART #	DESCRIPTION	ITEM #	PART #	DESCRIPTION
1	GEM3XRBA026	DISPENSER, GEMX	25	WC-4213-P	NUT, 5/8 LOCK PLATED
2	WC-66115	COVER, TOP GEMXSIFT	26	WC-38504	LABEL, WARNING SHOCK HAZARD INTELLI-FRESH
3	WC-820WDR*	VALVE, DUMP RIGHT 120V 12W W/INTERNAL RESISTOR & DIODE	27	WC-43133	O-RING, 1.424ID X 1.630 OD X .103 WALL GEMIF's
4	WC-2977K*	KIT, SPRAYHEAD FITTING METAL	28	WC-29044-101	SLEEVE, OVERFLOW
5	WC-3417-P	BREW CONE, ASSY W/SPLASH POCKET BRWN STYLIZED GEMIN HOT COFFEE	29	WC-4320	O'RING, 0.487I.D.x 0.693OD x0.103CS BUNA-N #112
6	WC-442	SOLENOID, LOCK BREW CONE RIGHT/LEFT 120V TP2T/TP2S/GEMSS/GEM	30	WC-10008	UNIVERSAL HOST ADAPTER USB
7	WC-844-101	VALVE, BY-PASS, NON-ADJUSTABLE WITH RESTRICTOR (WC-2945)	31	WC-13463	HARNESS ASSY, G4GEMSS10/G4GEMS IF (INCLUDES TERMINAL BLOCK)
8	WC-10000-108	CONTROL MODULE, TOUCH SCREEN G4 MCDONALDS	32	WC-1412	CORD GRIP, 3/4" FOR METAL CORD TO .81"OD
9	WC-10001	CONTROL MODULE, UPM 120/220V G4	33	WC-571K-R	KIT, IF CONNECTOR- RIGHT
10*	WC-8559	RELAY, SOLID STATE 280V/40A W/ HEATSINK AND QUICK DISCONNECTS	34	WC-5350	TUBE, 1/2 ID x 1/8W SILICONE GEN USE
11	WC-58395-102	COVER, FRONT	35	WC-1226	CORD, 600V 12/4 6ft W/NEMA PLUG LOCKING L14-20P
12	WC-390605	LABEL, BOTTOM DECK GEMXSIFT MCDONALDS	36	WC-65042-101	DECK, DISPENSER W/A
13*	WC-1809-P	FAUCET, PS/HPS SERIES HOT WTR 1/2-20 UNF AP/ALP	37	WC-13491	HARNESS ASSY, COMPLETE RESTRICT BREW GEMX SINGLE
14	WC-61963	PLATE, HOLDER IF CONNECTORS GEMTIF	38	WC-10047	MODULE, RECEIVER, RFID
15*	WC-3543	LEG, 6in ADJUSTABLE 3/8-16 THRD, ITALIAN STYLE	39	WC-314	POWER BLOCK, 5 STATION
16	WC-589-101	TRANSFORMER, 120VAC-24V 4.8A W/ LEADS & MOLEX CONNECTOR	40	WC-4426	SCREW, 8-32x3/8 PH HEAD TRUSS
17*	WC-2467	COUPLING BODY, SHUTOFF 3/8 NPT CHROME PLATED ALP3GT15A826	41	WC-4514	SCREW, 8-32x3/8 PAN HEAD PH SS
18	WC-1501	FUSE, HOLDER ASSY W/5A FUSE	42	WC-37132-101	KIT, VALVE REPAIR FOR DELTROL WC-820WDR, WC-821WDR, WC-844WDR (NEWER UNITS)
19	WC-14045-101	CURRENT SENSOR ASSY G4	43	WC-4616	SCREW, 1/4-20 x 1/2 PHILLIPS PAN HEAD STAINLESS STEEL
20*	WC-103	SWITCH, TOGGLE NON-LIT DPST 25A 125/250VAC RESISTIVE	44	WC-4412	SCREW, 10-32x3/16" PH PN HD MS SS
21	WC-847*	VALVE, INLET 2 GPM 120V 10W GEN USE BROWN BODY	45	WC-1806	SEAT CUP, SILICONE USE ON WC-1809 FAUCET
22	WC-29050*	SPRAYHEAD, AMBER ADVANCED FLOW	46	WC-3533	BUMPER, RUBBER 1in DIA.
23	WC-5310*	TUBE, 5/16 ID x 1/8W SILICONE	47	WC-53169-60	TUBE ASSY, BRAIDED 1/4 FLARE X 60" LG W/ FITTINGS
24	WC-5231*	COMPOUND, HEAT SINK 5OZ	48	WC-390616	LABEL, OUTER TOUCHSCREEN G4GEM XSIFT MACDONALDS